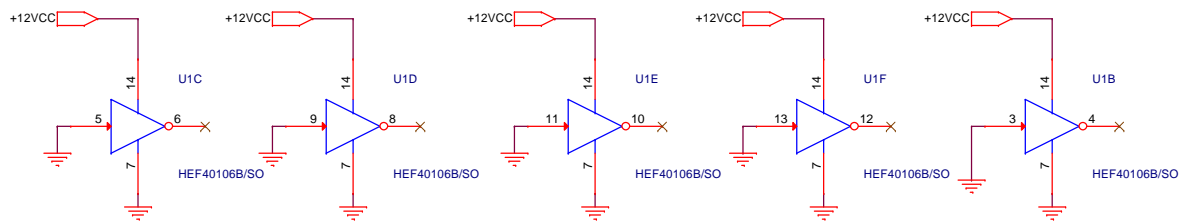
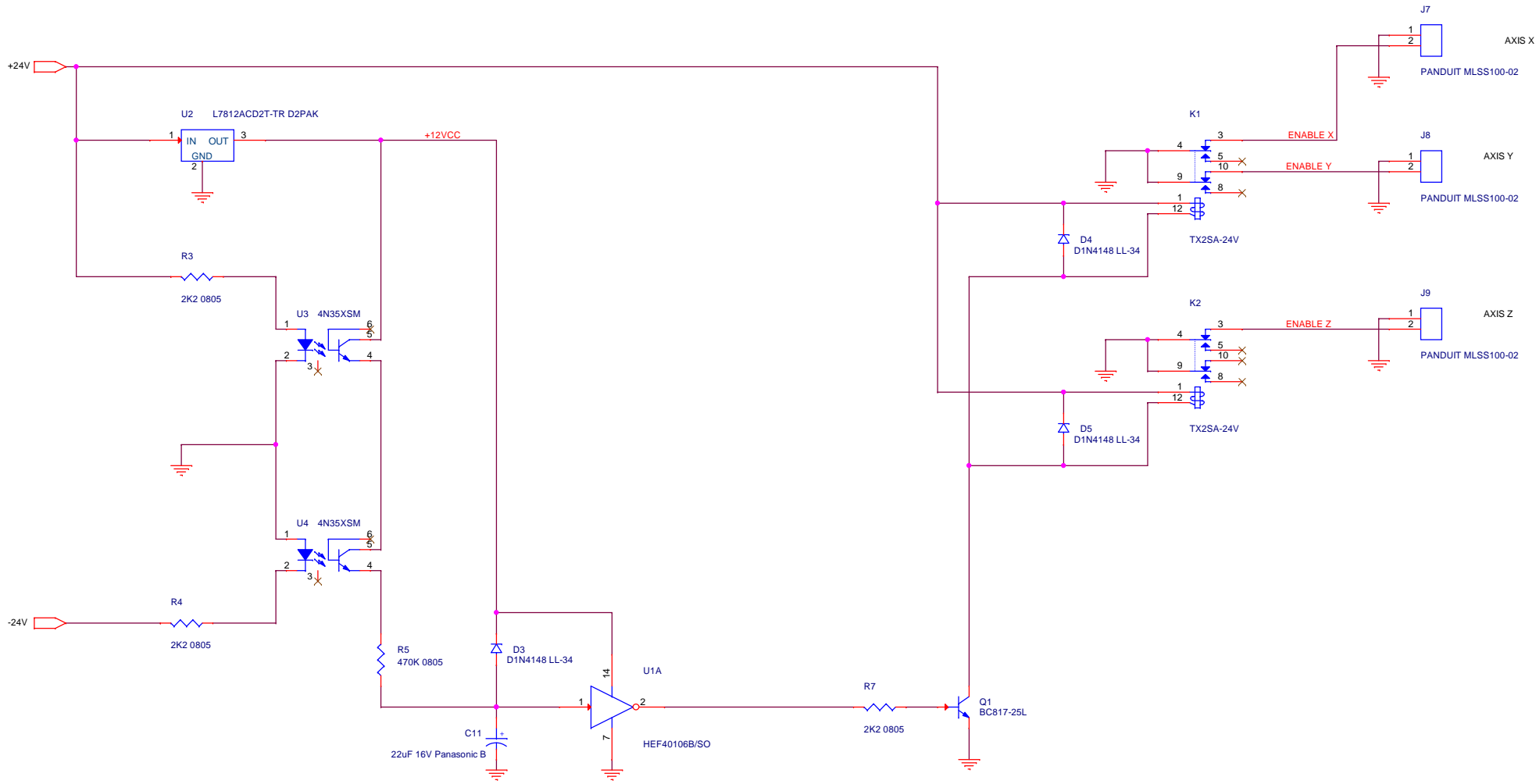



DS4
Via Giardini 32
24066 Pedrengo
BERGAMO
Italy

Title **POWER FILTER**

Document Number 1	Rev 2.0
-----------------------------	------------

Date: Monday, April 15, 2013 Sheet 1 of 2



DS4		
Via Giardini 32 24066 Pedrengo BERGAMO Italy		
Title ENABLE GALVO		
	Document Number	Rev
	2	2.0
Date: Monday, April 15, 2013	Sheet 2 of 2	