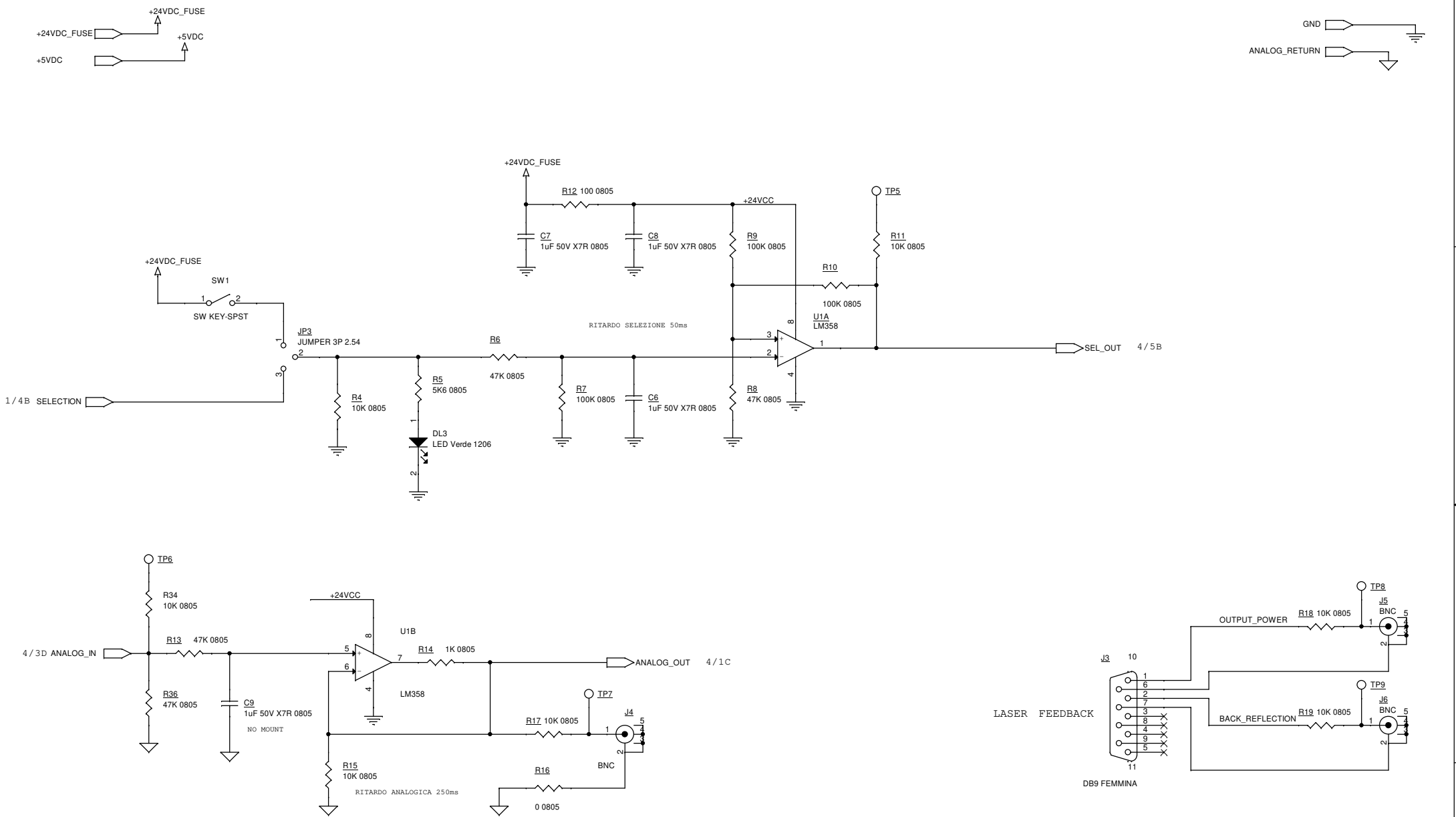


DS4 Via Giardini 32 24066 Pedrengo BERGAMO Italy		
Title LASER HEAD SWITCH		
Document Number		Rev
MAIN		2.0
Date: Monday, February 18, 2019	Sheet 1 of 4	



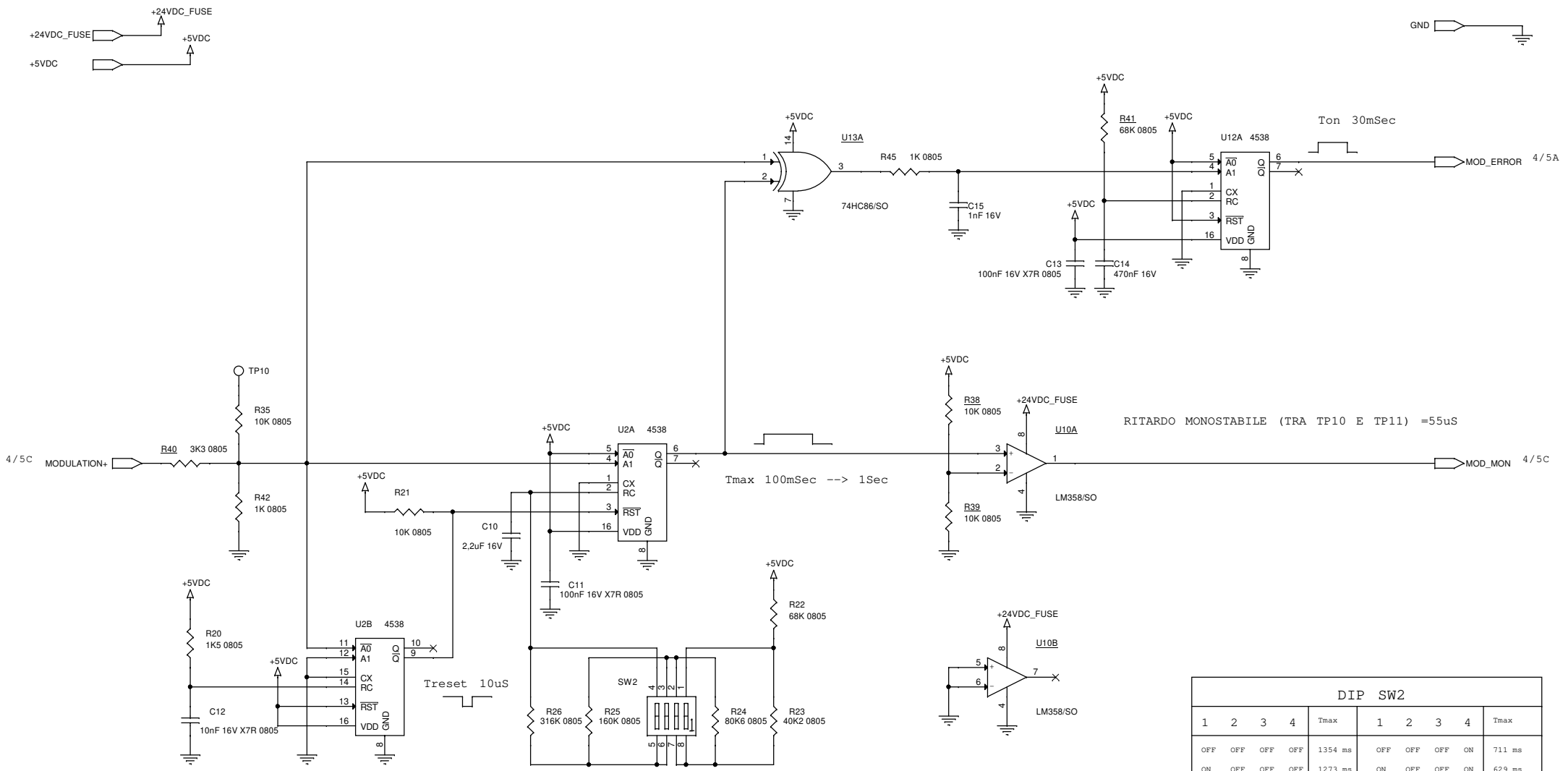
DS4
 Via Giardini 32
 24066 Pedrengo
 BERGAMO
 Italy

Title LASER HEAD SWITCH

Document Number **CONTROL SIGNAL**

Date: Monday, February 18, 2019 Sheet 2 of 4

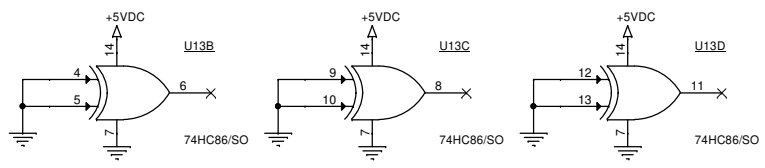
Rev 2.0



RITARDO MONOSTABILE (TRA TP10 E TP11) =55uS

RITARDO TRA IL SEGNALE MODULATION+ (TP10) E ANALOG OUT (TP7) = 1ms

DIP SW2									
1	2	3	4	Tmax	1	2	3	4	Tmax
OFF	OFF	OFF	OFF	1354 ms	OFF	OFF	OFF	ON	711 ms
ON	OFF	OFF	OFF	1273 ms	ON	OFF	OFF	ON	629 ms
OFF	ON	OFF	OFF	1191 ms	OFF	ON	OFF	ON	547 ms
ON	ON	OFF	OFF	1108 ms	ON	ON	OFF	ON	465 ms
OFF	OFF	ON	OFF	1028 ms	OFF	OFF	ON	ON	385 ms
ON	OFF	ON	OFF	945 ms	ON	OFF	ON	ON	303 ms
OFF	ON	ON	OFF	863 ms	OFF	ON	ON	ON	220 ms
ON	ON	ON	OFF	781 ms	ON	ON	ON	ON	139 ms



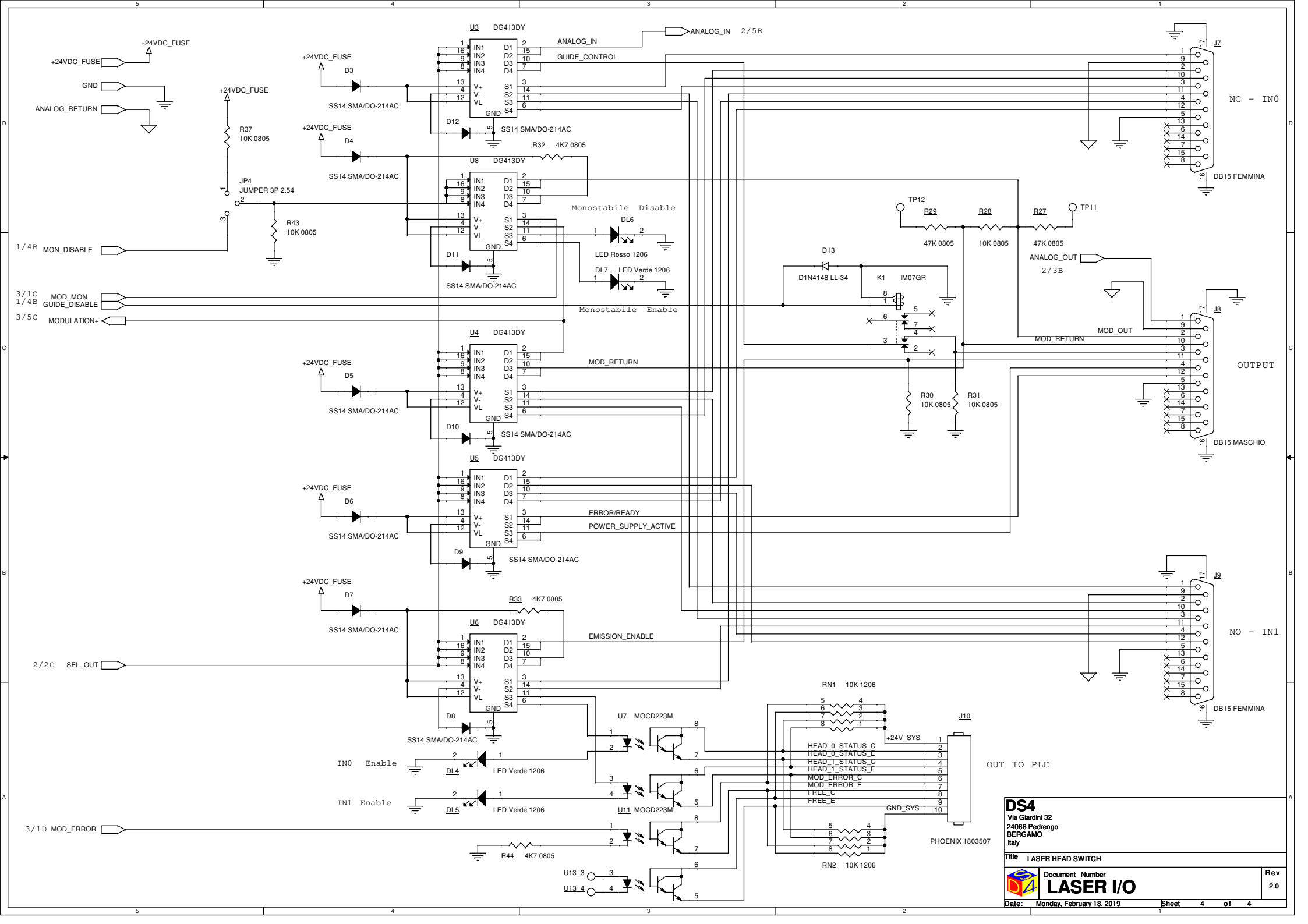
DS4
Via Giardini 32
24066 Pedrengo
BERGAMO
Italy

Title LASER HEAD SWITCH

Document Number **MODULATION**

Date: Monday, February 18, 2019 Sheet 3 of 4

Rev 2.0A



DS4
 Via Giardini 32
 24066 Pedregno
 BERGAMO
 Italy

Title: LASER HEAD SWITCH

Document Number: **LASER I/O**

Date: Monday, February 18, 2019

Rev: 2.0

Sheet 4 of 4