

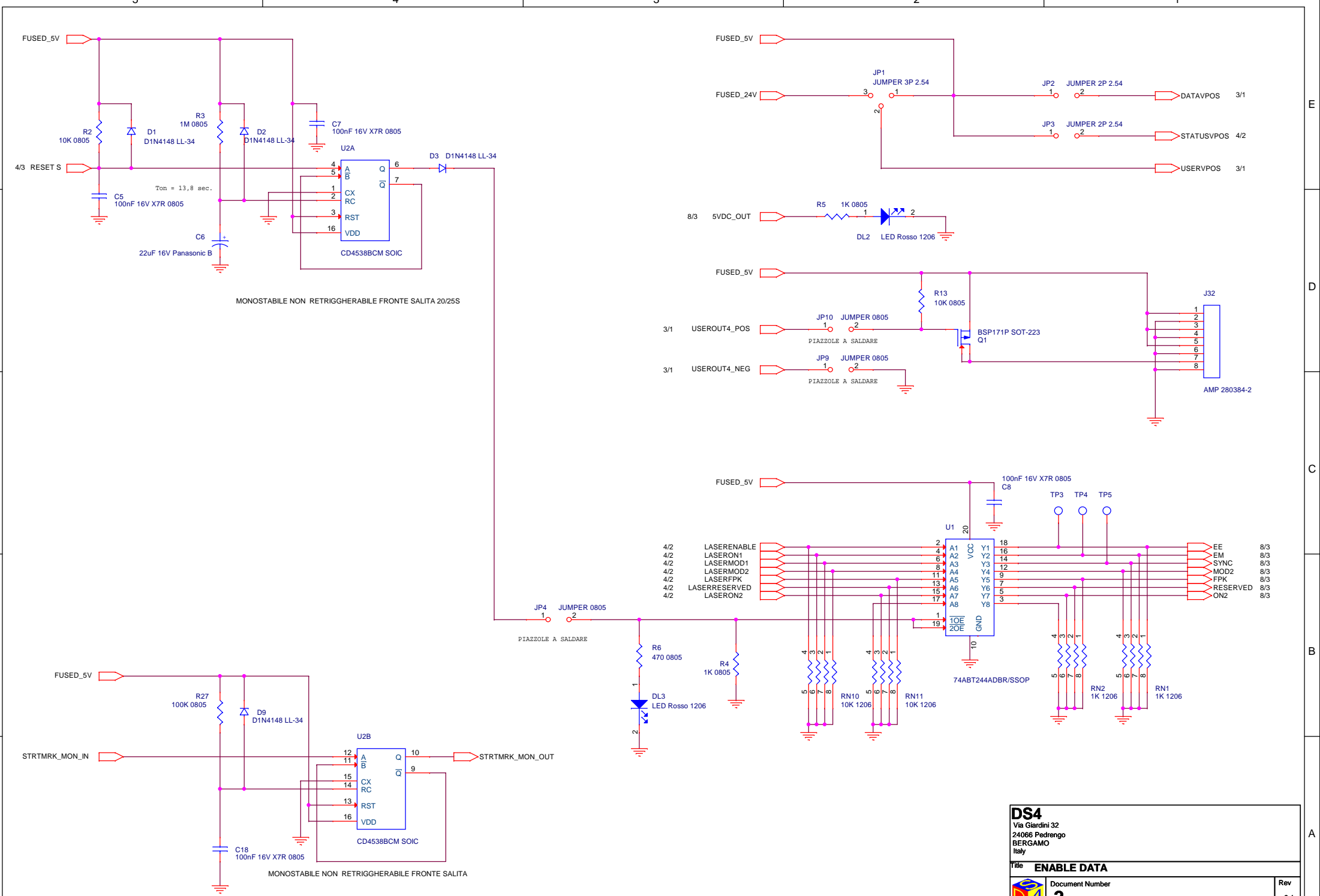
DS4
Via Giardini 32
24066 Pedrengo
BERGAMO
Italy

Title **SYSTEM POWER**

Document Number **1**

Rev 2.1

Date: Friday, April 05, 2013 Sheet 1 of 8



DS4
 Via Giardini 32
 24066 Pedrengo
 BERGAMO
 Italy

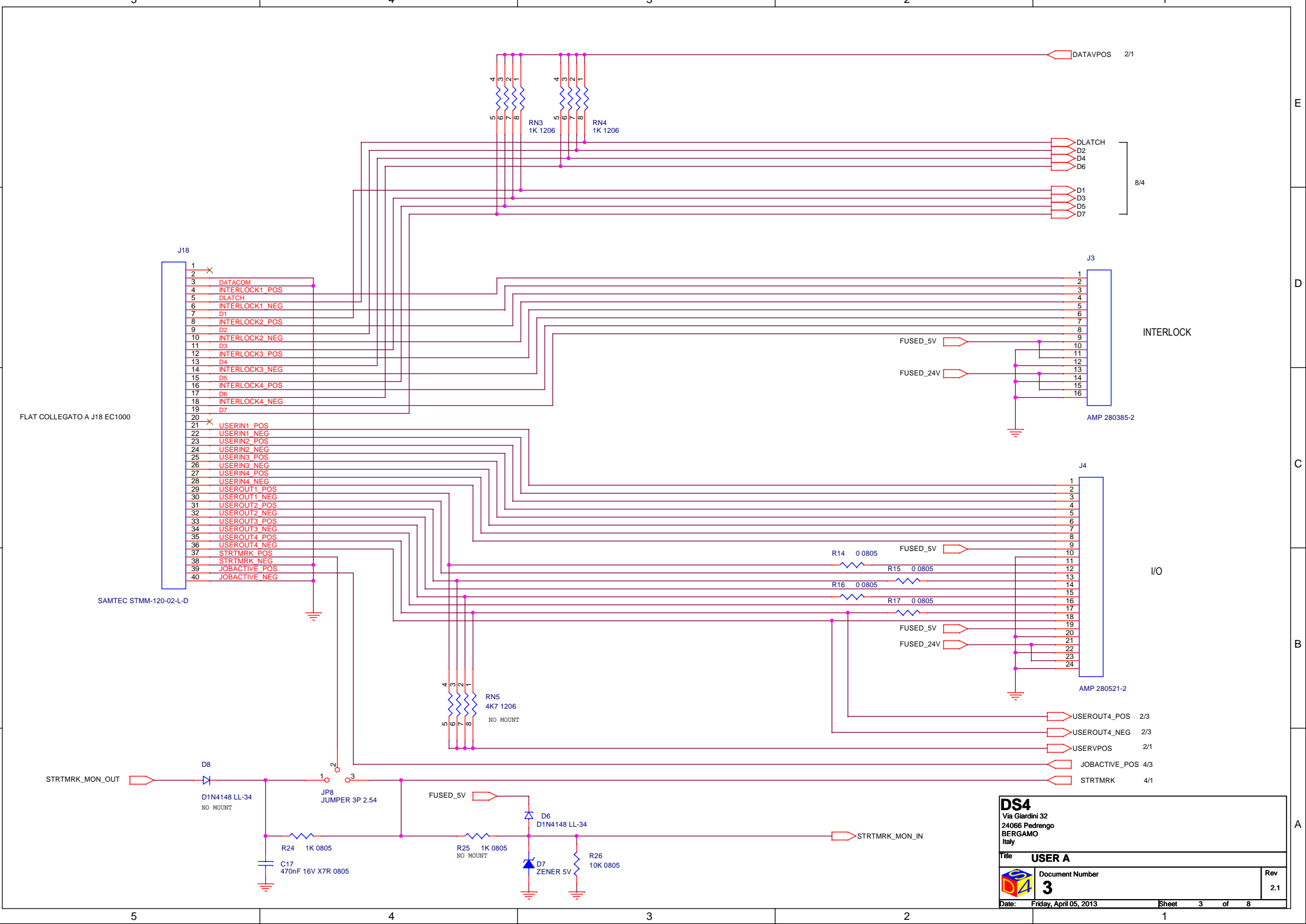
ENABLE DATA

Document Number **2**

Date: Friday, April 05, 2013

Sheet 2 of 8

Rev 2.1



FLAT COLLEGATO A J18 EC1000

SAMTEC STMM-120-02-L-D

INTERLOCK

I/O

DS4
 Via Giardini 32
 24066 Pedrengo
 BERGAMO
 Italy

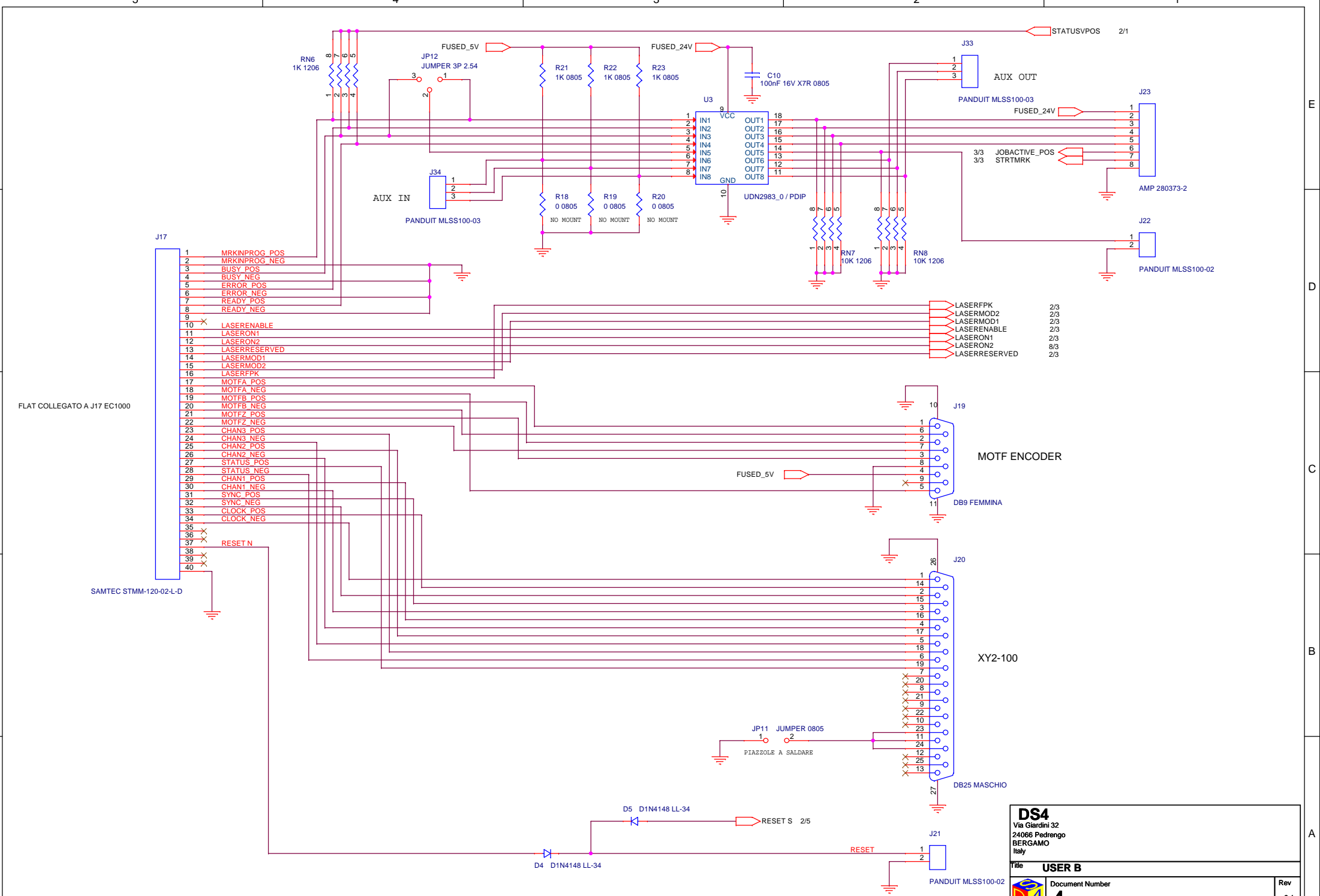
File: **USER A**

Document Number: **3**

Date: Friday, April 05, 2013

Sheet: 3 of 8

Rev: 2.1



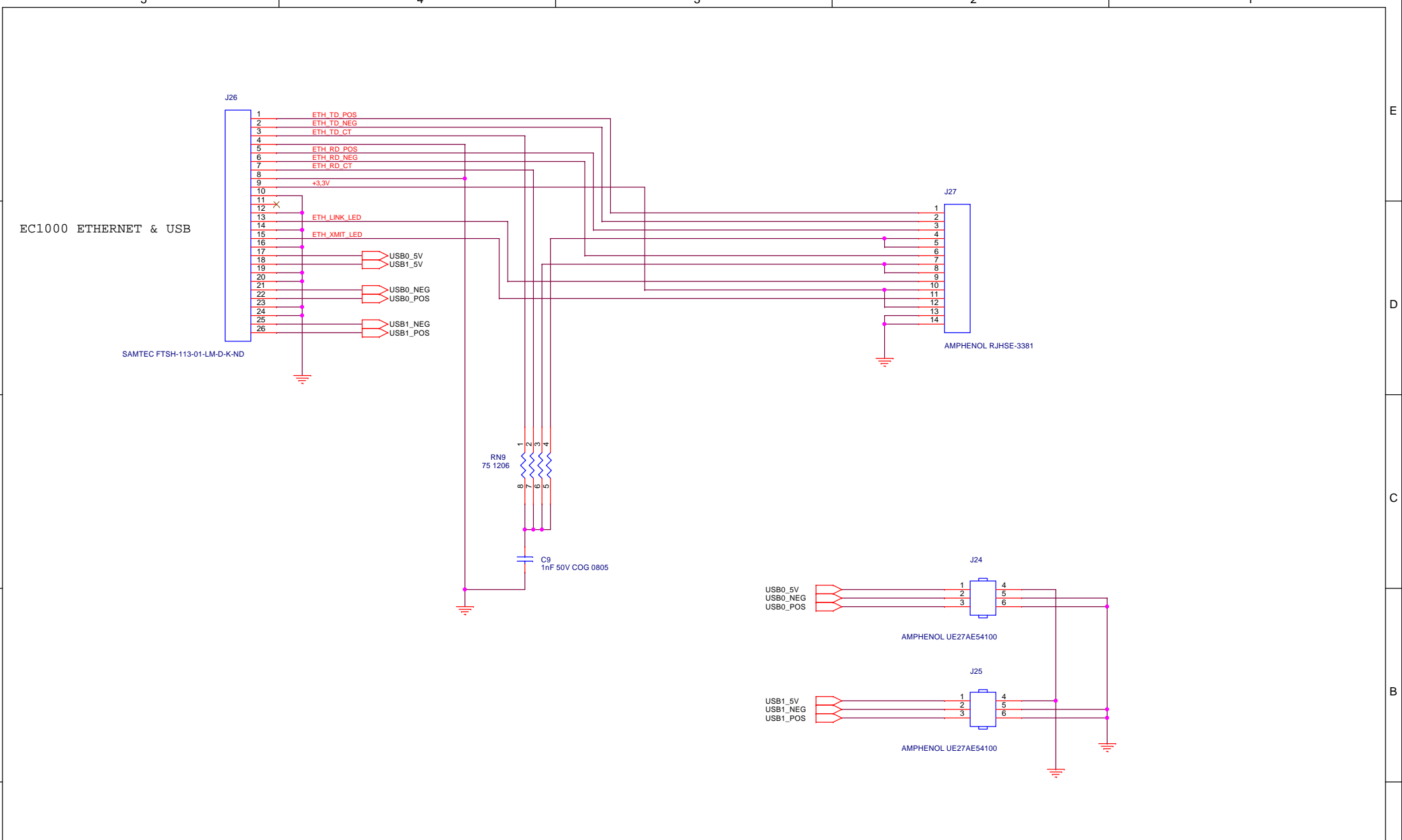
FLAT COLLEGATO A J17 EC1000

SAMTEC STMM-120-02-L-D

- 1 MRKINPROG POS
- 2 MRKINPROG NEG
- 3 BUSY POS
- 4 BUSY NEG
- 5 ERROR POS
- 6 ERROR NEG
- 7 READY POS
- 8 READY NEG
- 9
- 10 LASERENABLE
- 11 LASERON1
- 12 LASERON2
- 13 LASERRESERVED
- 14 LASERMOD1
- 15 LASERMOD2
- 16 LASERFPK
- 17 MOTFA POS
- 18 MOTFA NEG
- 19 MOTFB POS
- 20 MOTFB NEG
- 21 MOTFZ POS
- 22 MOTFZ NEG
- 23 CHAN3 POS
- 24 CHAN3 NEG
- 25 CHAN2 POS
- 26 CHAN2 NEG
- 27 STATUS POS
- 28 STATUS NEG
- 29 CHAN1 POS
- 30 CHAN1 NEG
- 31 SYNC POS
- 32 SYNC NEG
- 33 CLOCK POS
- 34 CLOCK NEG
- 35
- 36
- 37 RESET N
- 38
- 39
- 40

- LASERFPK 2/3
- LASERMOD2 2/3
- LASERMOD1 2/3
- LASERENABLE 2/3
- LASERON1 2/3
- LASERON2 8/3
- LASERRESERVED 2/3

DS4	
Via Giardini 32 24066 Pedrengo BERGAMO Italy	
USER B	
Document Number 4	Rev 2.1
Date: Friday, April 05, 2013	Sheet 4 of 8



EC1000 ETHERNET & USB

SAMTEC FTSH-113-01-LM-D-K-ND

AMPHENOL RJHSE-3381

RNS
75 1206

C9
1mF 50V COG 0805

AMPHENOL UE27AE54100

AMPHENOL UE27AE54100

DS4
Via Giardini 32
24066 Pedrengo
BERGAMO
Italy

Title: **ETHERNET - USB**

Document Number: **5**

Rev: 2.1

Date: Friday, April 05, 2013

Sheet 5 of 8

E

E

D

D

C

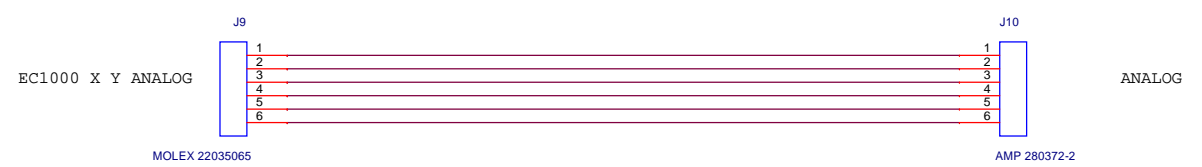
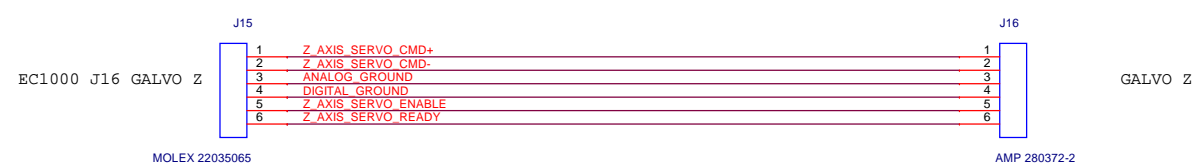
C

B

B


A

A

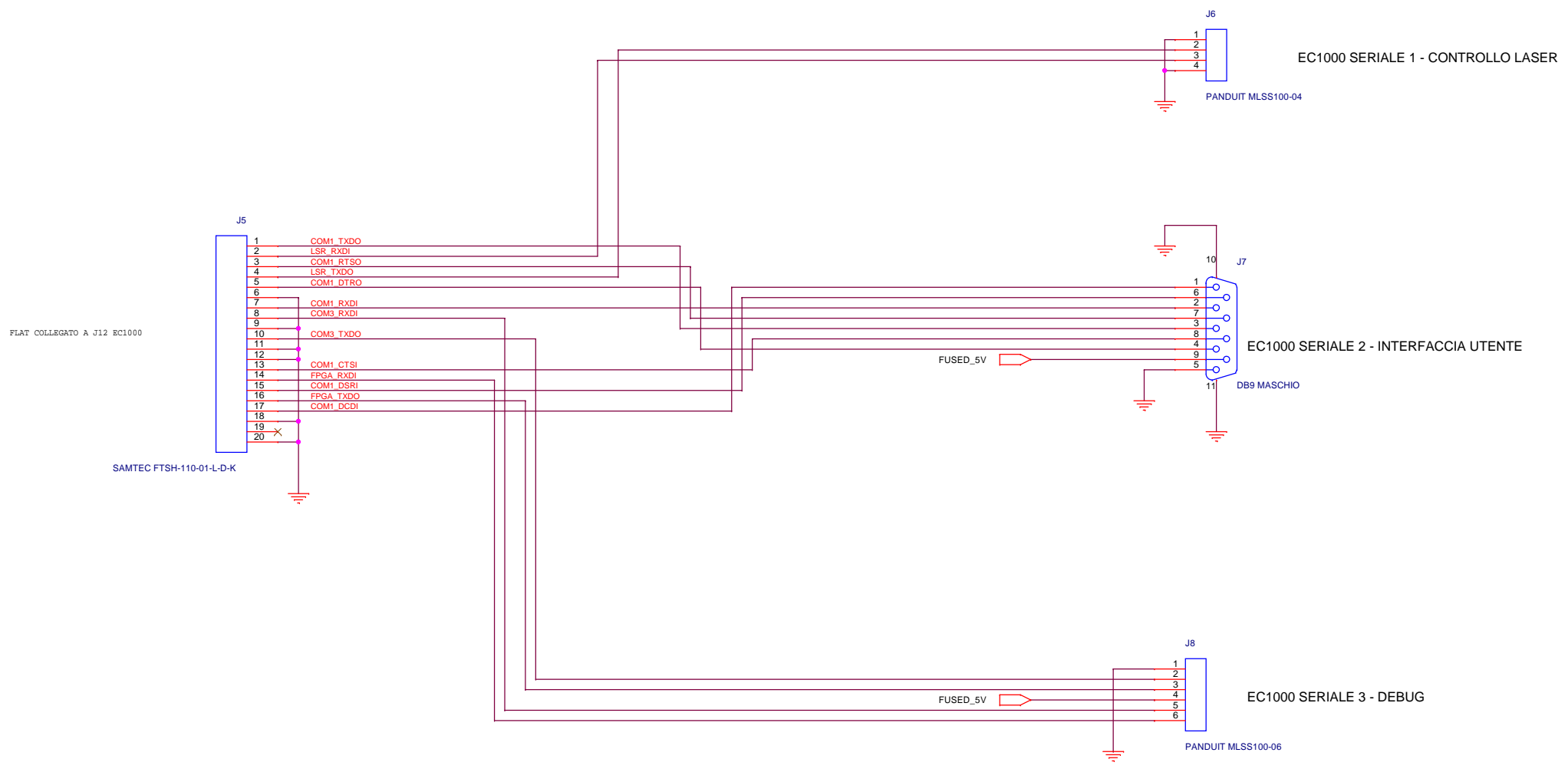


DS4
Via Giardini 32
24066 Pedrengo
BERGAMO
Italy

Title **GALVO**

	Document Number 6	Rev 2.1
---	-----------------------------	------------

Date: Friday, April 05, 2013 Sheet 6 of 8



FLAT COLLEGATO A J12 EC1000

SAMTEC FTSH-110-01-L-D-K

EC1000 SERIALE 1 - CONTROLLO LASER

PANDUIT MLSS100-04

EC1000 SERIALE 2 - INTERFACCIA UTENTE

DB9 MASCHIO

EC1000 SERIALE 3 - DEBUG

PANDUIT MLSS100-06

DS4
 Via Giardini 32
 24066 Pedrengo
 BERGAMO
 Italy

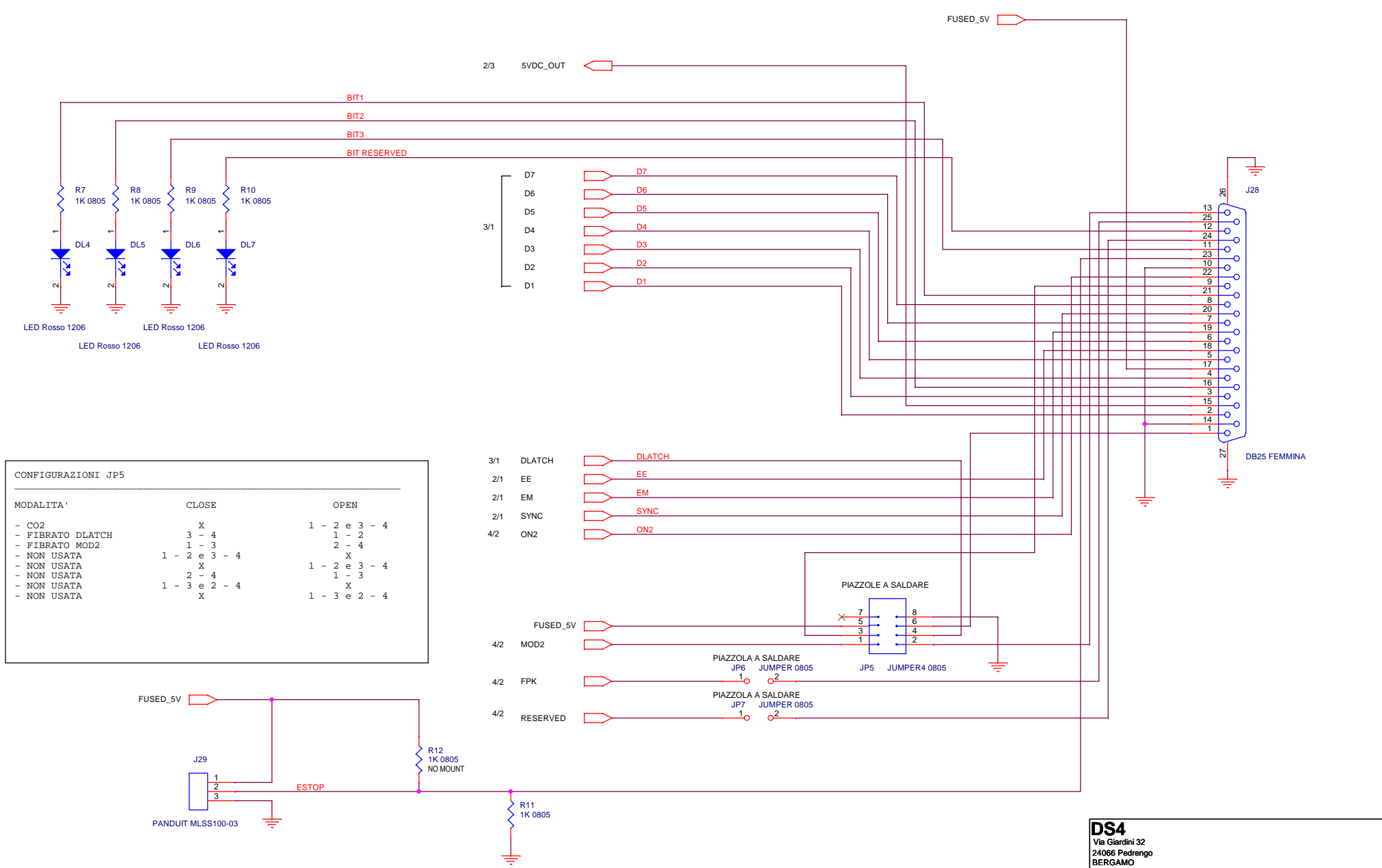
Title **SERIALE**

Document Number **7**

Rev **2.1**

Date: Friday, April 05, 2013 Sheet 7 of 8

IPG FIBER LASER



CONFIGURAZIONI JP5

MODALITA'	CLOSE	OPEN
- CO2	X	1 - 2 e 3 - 4
- FIBRATO DLATCH	3 - 4	1 - 2
- FIBRATO MOD2	1 - 3	2 - 4
- NON USATA	1 - 2 e 3 - 4	X
- NON USATA	X	1 - 2 e 3 - 4
- NON USATA	2 - 4	1 - 3
- NON USATA	1 - 3 e 2 - 4	X
- NON USATA	X	1 - 3 e 2 - 4

DS4
Via Giardini 32
24066 Pedrengo
BERGAMO
Italy

Title: **IPG FIBER LASER**

Document Number: **8**

Rev: 2.1

Date: Friday, April 05, 2013

Sheet 8 of 8