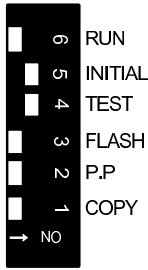
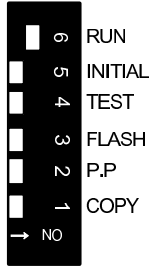


Memory Initialization

When the DIP switch is set according to the following procedure and the power is turned ON and OFF, memory will be initialized, and the user programs and definition data will be deleted.

1	2	3	4	5
Turn OFF the MP940 power.	Turn ON the DIP switch pins for INIT and TEST. 	Turn ON the power, and check that the RDY and RUN indicators flash, and then wait for 4 to 5 seconds (Flashes until the power is turned OFF).	Turn OFF the power, and return the DIP switch pins to their original settings, with only the RUN pin ON. 	Turn ON the power again.

Always initialize memory if you remove the battery when the Module power supply is turned OFF.