

5

4

3

2

1

E

E

D

D

C

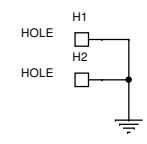
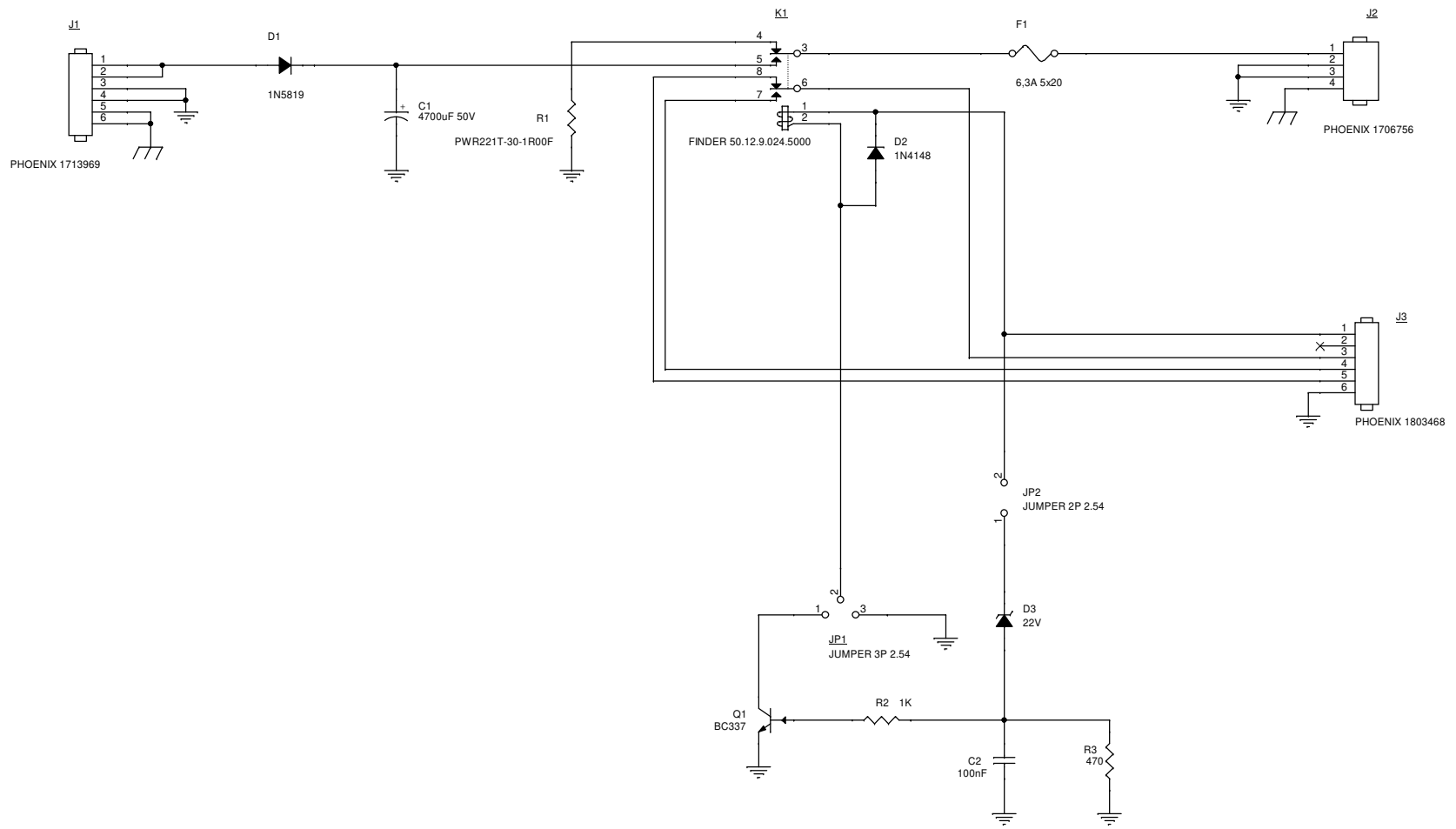
C


B

B

A

A



DS4 Via Giardini 32 24066 Pedrengo BERGAMO Italy		
Title CLV MOTOR SAFE		
	Document Number MAIN	Rev 1.0
Date: Friday, July 05, 2019	Sheet 1 of 1	

5

4

3

2

1